

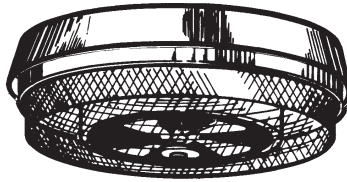
**READ AND SAVE  
THESE INSTRUCTIONS**

**IMPORTANT  
INSTRUCTIONS**

**READ ALL INSTRUCTIONS BEFORE  
INSTALLING OR USING THIS HEATER.**

To reduce the risk of fire, electric shock, or injury to persons, observe the following:

1. Use this unit only in the manner intended by the manufacturer. If you have questions, contact the manufacturer at the address or telephone number listed in the warranty.
2. Before servicing or cleaning unit, switch power off at service panel and lock the service disconnecting means to prevent power from being switched on accidentally. When the service disconnecting means cannot be locked, securely fasten a prominent warning device, such as a tag, to the service panel.
3. Installation work and electrical wiring must be done by a qualified person(s) in accordance with all applicable codes and standards, including fire-rated construction codes and standards.
4. When cutting or drilling into wall or ceiling, do not damage electrical wiring and other hidden utilities.
5. This heater is hot when in use. To avoid burns, do not let bare skin touch hot surfaces. Keep combustible materials, such as furniture, pillows, bedding, papers, clothes, etc. and curtains at least 3 feet (0.9 m) from the front of the heater.
6. Extreme caution is necessary when any heater is used by or near children or invalids and whenever the heater is left operating and unattended.
7. Do not operate any heater after it malfunctions. Disconnect power at service panel and have heater inspected by a reputable electrician before reusing.
8. Do not use outdoors.
9. To disconnect heater, turn controls to off, and turn off power to heater circuit at main disconnect panel (or operate internal disconnect switch, if provided).
10. Do not insert or allow foreign objects to enter any ventilation or exhaust opening, as this may cause an electric shock or fire, or damage the heater.
11. To prevent a possible fire, do not block air intakes or exhaust in any manner.
12. A heater has hot and arcing or sparking parts inside. Do not use it in areas where gasoline, paint, or flammable vapors or liquids are used or stored.
13. Use this heater only as described in this manual. Any other use not recommended by the manufacturer may cause fire, electric shock, or injury to persons.
14. Install heater at least 12 inches from any adjacent wall.
15. To avoid electrical shock: Do not install unit in a tub or shower enclosure or any location where it may come in contact with water. Never place a switch where it can be reached from a tub or shower.
16. This product is designed for horizontal ceiling installation only. **DO NOT MOUNT THIS PRODUCT ON A WALL OR SLOPED CEILING.**
17. Do not connect heater to dimmer switch or speed control.
18. Provide heater with a SEPARATE 15 AMP (minimum), 120 VAC circuit.
19. This product must be grounded.



**LEA Y CONSERVE  
ESTAS INSTRUCCIONES**

**INSTRUCCIONES  
IMPORTANTES**

**LEA TODAS LAS INSTRUCCIONES ANTES  
DE INSTALAR O USAR ESTE CALENTADOR.**

Para reducir el riesgo de incendios, descargas eléctricas o lesiones personales, observe las siguientes precauciones:

1. Use la unidad solo de la manera indicada por el fabricante. Si tiene preguntas, comuníquese con el fabricante a la dirección o al número telefónico que se incluye en la garantía.
2. Antes de dar servicio a la unidad o de limpiarla, interrumpa el suministro eléctrico en el panel de servicio y bloquee los medios de desconexión del servicio para evitar que la electricidad se reanude accidentalmente. Cuando no sea posible bloquear los medios de desconexión del servicio, fije firmemente una señal de advertencia (como una etiqueta) en un lugar visible del panel de servicio.
3. El trabajo de instalación y el cableado eléctrico deben estar a cargo de personal capacitado, de acuerdo con todos los códigos y normas correspondientes, incluidos los códigos y normas de construcción específicos sobre protección contra incendios.
4. Al cortar o perforar a través de la pared o del cielo raso, tenga cuidado de no dañar el cableado eléctrico ni otros servicios ocultos.
5. Este calentador se calienta cuando se usa. Para evitar quemaduras, no deje que la piel desnuda toque las superficies calientes. Mantenga materiales combustibles como muebles, almohadas, ropa de cama, papeles, ropa, etc., así como las cortinas, por lo menos a 3 pies (0.9 m) de la parte delantera del calentador.
6. Es necesario tener extremo cuidado cuando se use un calentador cerca de niños o personas inválidas, y siempre que el calentador se deje funcionando y sin atención.
7. No haga funcionar ningún calentador después de que presente una falla. Desconecte la energía eléctrica en el panel de servicio y pida que un electricista acreditado inspeccione el calentador antes de volverlo a usar.
8. No lo use en exteriores.
9. Para desconectar el calentador, mueva los controles a la posición de apagado y desconecte la energía eléctrica al circuito del calentador en el panel de desconexión principal (o active el interruptor de desconexión interna, si existe).
10. No inserte ni permita que objetos extraños entren en la abertura de ventilación o de escape, pues esto puede ocasionar una descarga eléctrica, un incendio o daños al calentador.
11. Para prevenir un posible incendio, no bloquee la entrada o salida del aire de ninguna manera.
12. El calentador tiene piezas calientes y que pueden generar arcos eléctricos o chispas en el interior. No lo use en áreas donde se use o almacene gasolina, pintura o vapores o líquidos inflamables.
13. Use este calentador solamente como se describe en este manual. Cualquier otro uso no recomendado por el fabricante puede ocasionar un incendio, una descarga eléctrica o lesiones a personas.
14. Instale el calentador por lo menos 12 pulg. desde cualquier pared adyacente.
15. Para evitar golpe eléctrico: No instale la unidad en una bañera o recinto de ducha. Nunca coloque un interruptor en un lugar que pueda ser alcanzado desde una bañera o ducha.
16. Este producto ha sido diseñado para instalación en cielo raso horizontal solamente. **NO MONTE ESTE PRODUCTO EN UNA PARED O CIELO RASO INCLINADO**
17. No conecte el calentador a un variador de luz o control de velocidad.
18. Proporcione al calentador un circuito SEPARADO de 15 AMP (mínimo), 120 VCA.
19. Este producto debe estar conectado a tierra.

# IMPORTANT INSTRUCTIONS (CONT.)

## READ ALL INSTRUCTIONS BEFORE INSTALLING OR USING THIS HEATER.

20. Ceiling heaters are intended to provide supplemental heat and not to take the place of a home's main heat source.
21. It is recommended that heater operation is controlled with a choice of Broan wall controls, available separately. (Model 86W Line-Voltage Thermostat or Model 61W/61V 15-Minute Timer).

## SAVE THESE INSTRUCTIONS

# PLANNING

This heater is intended to be used to supply supplemental heat from a ceiling location in new or existing construction.

Choose a location where edge of heater will be at least 12" from any adjacent vertical surface.

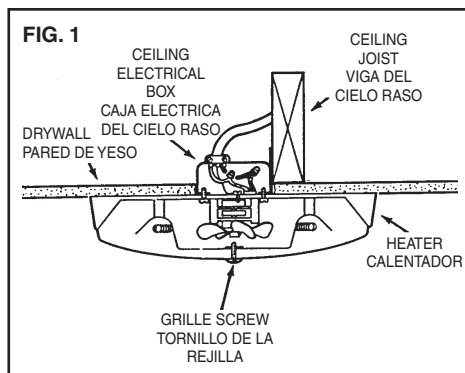
The heater can be operated using an ON/OFF switch, timer (Broan Model 61W/61V 15-Minute Timer), or thermostat (Broan Model 86W Line-Voltage Thermostat). Purchase the control separately.

Plan to supply the heater with proper line voltage and appropriate power cable for its maximum wattage rating.

The heater attaches directly to any standard 3½" and 4" round, or 4" octagon ceiling electrical box.

Follow these basic steps when installing this heater: (FIG. 1)

- Mount electrical box in ceiling and attach power cable to it.
- Connect wiring and fasten heater to electrical box.
- Install grille.



# INSTRUCCIONES IMPORTANTES

## LEA TODAS LAS INSTRUCCIONES ANTES DE INSTALAR O USAR ESTE CALENTADOR.

20. Calentadores de techo están destinados a proporcionar calor adicional y no a tomar el lugar de la fuente de calor principal de un hogar.
21. Se recomienda que el funcionamiento del calentador se controle con una selección de controles de pared Broan, disponible por separado. (Modelo 86W Termostato a voltaje de línea o Modelo 61W/61V Temporizador de 15 Minutos)

## GUARDE ESTAS INSTRUCCIONES

# PLANIFICACION

Este calentador ha sido diseñado para proporcionar calefacción adicional desde el cielo raso en una construcción nueva o una ya existente.

Escoja un lugar en que el borde del calentador se encuentre por lo menos a 30,48 cm (12 pulg.) de cualquier superficie vertical adyacente.

Para el funcionamiento de este calentador se puede usar un interruptor ON/OFF (ENCENDIDO/APAGADO), temporizador (Broan Modelo 61W/61V de 15 minutos), o termostato (Broan Modelo 86W de tensión de línea). Adquiera el control en forma separada.

Proporcione al calentador la tensión de línea y cable de energía eléctrica correctos para su vatiaje máximo.

El calentador se conecta directamente a una caja eléctrica rondo estándar de cielo raso de 8,89 cm y 10,16 cm (3½ o 4 pulg.), o una caja eléctrica octagonal estándar de cielo raso de 10,16 cm (3½ o 4 pulg.).

Al instalar este calentador, siga estos pasos básicos:

(FIG. 1)

- Monte la caja eléctrica en el cielo raso y conecte el cable de energía eléctrica a la misma.
- Conecte el cableado y fije el calentador a la caja eléctrica.
- Instale la rejilla.

# INSTALLATION

**WARNING:** To reduce the risk of fire, do not store or use gasoline or other flammable vapors and liquids in the vicinity of the heater.

**CAUTION:** High temperature, risk of fire, keep electrical cords, drapery, furnishings, and other combustibles at least 3 feet (0.9 m) from the front of the heater and away from the side and rear.

## 1. Mount electrical box. (FIG. 2)

Position electrical box flush or slightly recessed in ceiling and mount it securely.

Installation work and electrical wiring must be done by a qualified person(s) in accordance with all applicable codes and standards, including fire-rated construction codes and standards.

## 2. Connect wiring. (FIG. 3)

Run electrical cable into box and secure with appropriate connector. Allow 6" of wire inside box.

## 3. Wire the heater. (FIGS. 4 & 5)

Attach electrical power cable to heater. Connect black to black, white to white, and green or bare wire to ground screw.

Complete the wiring by adding a wall control. Follow the pictorial or schematic diagram.

FIG. 2

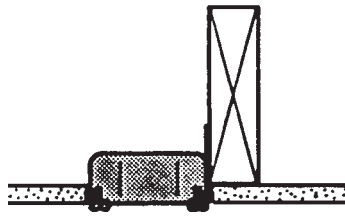


FIG. 3

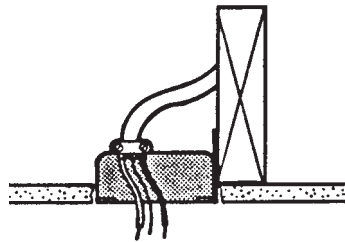


FIG. 4

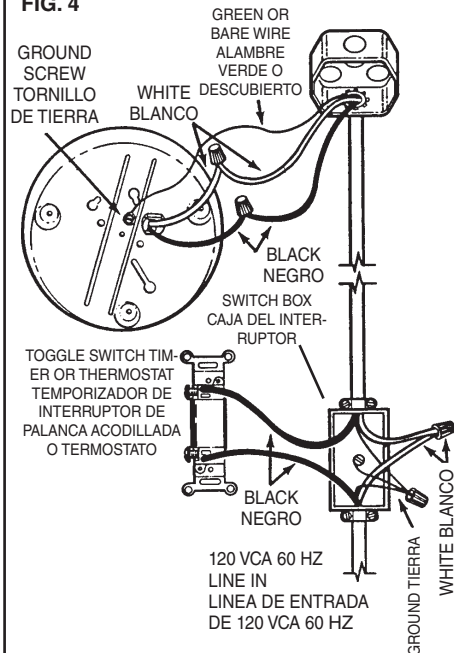
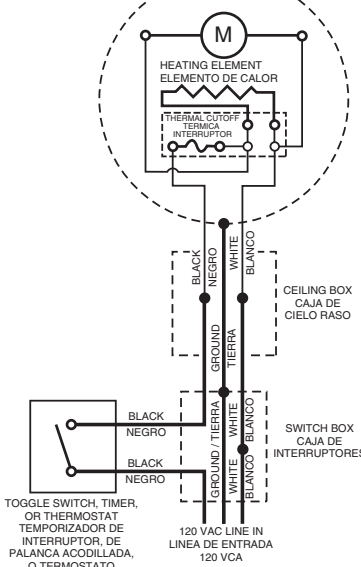


FIG. 5



# INSTALACION

**ADVERTENCIA:** Para reducir el riesgo de incendio, no almacene ni use gasolina u otros vapores y líquidos inflamables en las cercanías del calentador.

**PRECAUCIÓN:** Temperatura alta, el riesgo de incendio, mantenga los cables eléctricos, cortinas, muebles y otros materiales combustibles por lo menos 3 pies (0,9 m) del frente del calentador y lejos de la cara y la parte trasera.

## 1. Monte la caja eléctrica. (FIG. 2)

Coloque la caja eléctrica a nivel o un poco hacia adentro en el cielo raso y fíjela de forma segura.

El trabajo de instalación y el cableado eléctrico deben estar a cargo de personal capacitado, de acuerdo con todos los códigos y normas correspondientes, incluidos los códigos y normas de construcción específicos sobre protección contra incendios.

## 2. Conecte el cableado. (FIG. 3)

Coloque el cable eléctrico en la caja y asegúrelo con el conector apropiado. Deje 15,24 cm (6 pulg.) de cable dentro de la caja.

## 3. Cableado del calentador. (FIGS. 4 & 5)

Enchufe el cable de energía eléctrica al calentador. Conecte negro a negro, blanco a blanco, y cable verde o descubierto al tornillo de tierra.

Complete el cableado agregando un control de pared. Siga el diagrama de figuras o esquemático.

**4. Attach heater to electrical box. (FIG. 6)**

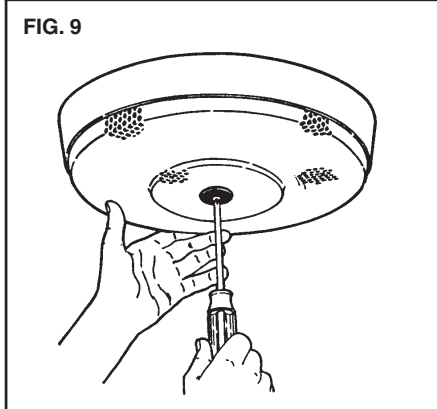
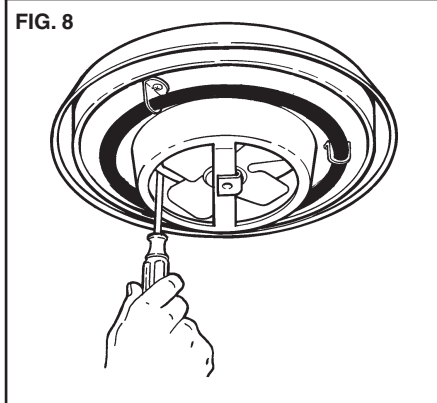
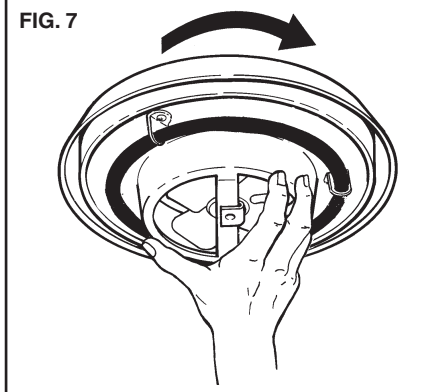
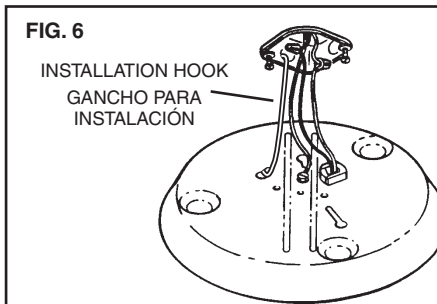
Tuck wires up into electrical box. Fit screw heads from electrical box into appropriate keyholes, as shown.

Twist heater clockwise to hold it in place. (FIG. 7)

Tighten two (2) electrical box screws. (FIG. 8)

**5. Install grille. (FIG. 9)**

Use grille screw (provided) to attach grille, as shown.



**4. Fije el calentador a la caja eléctrica. (FIG. 6)**

Coloque los cables dentro de la caja eléctrica. Meta las cabezas de tornillo para la caja eléctrica en los ojos de las cerraduras correspondientes, tal como se muestra.

Gire el al calentador en el sentido de las agujas del reloj para mantenerlo en su lugar. (FIG. 7)

Apriete dos (2) tornillos de la caja eléctrica. (FIG. 8)

**5. Instale la rejilla.**

Use el tornillo de rejilla (proporcionado) para fijar ésta, tal como se muestra. (FIG. 9)

## **OPERATION**

---

Before using heater, make sure heater has been properly installed according to installation steps beginning with the "PLANNING" section.

## **OPERACIÓN**

---

Antes de usar el calentador, asegúrese de que esté instalado adecuadamente, de acuerdo con los pasos de instalación indicados en "PLANIFICACIÓN".

# MAINTENANCE

---

The following maintenance and cleaning tasks can be performed by the user. All other servicing must be performed by an authorized technician. If you have any questions, please consult with our customer service department at: 800-558-1711.

## LUBRICATION

The heater is permanently lubricated and never needs oiling or disassembly.

## CLEANING

Clean heater once a month as follows:

1. Turn off power at service panel.
2. Make sure heating element is cool.
3. Use a soft brush attachment to gently vacuum grille openings or wipe grille clean with a soft cloth.
4. Restore power.

**CAUTION: METAL AND ELECTRICAL PARTS SHOULD NEVER BE IMMERSSED IN WATER.**

# MANTENIMIENTO

---

El usuario puede realizar las siguientes tareas de mantenimiento y limpieza. Todos los demás servicios los debe realizar un técnico autorizado. Si tiene preguntas, consulte a nuestro departamento de servicio al cliente llamando al: 800-558- 1711.

## LUBRICACIÓN

El calentador está permanentemente lubricado y nunca necesitará ponerle aceite ni desarmarlo.

## LIMPIEZA

Limpie el calentador una vez al mes tal como sigue:

1. Apague la energía eléctrica en el panel de servicio.
2. Asegúrese de que el calentador esté frío.
3. Use un aditamento de cepillo suave para aspirar suavemente aberturas de la rejilla o limpie la rejilla con un paño suave.
4. Restaure la energía eléctrica.

**CUIDADO: LAS PIEZAS METÁLICAS Y ELÉCTRICAS NUNCA SE DEBEN SUMERGIR EN AGUA.**

# WARRANTY

## Limited Warranty

**Warranty Period and Exclusions:** Broan-NuTone LLC (the "Company") warrants to the original consumer purchaser of its product ("you") that the product (the "Product") will be free from material defects in the Product or its workmanship for a period of one (1) year from the date of original purchase.

The limited warranty period for any replacement parts provided by the Company and for any Products repaired or replaced under this limited warranty shall be the remainder of the original warranty period.

This warranty does not cover speed controls, fluorescent lamp starters, tubes, halogen and incandescent bulbs, fuses, filters, ducts, roof caps, wall caps and other accessories for ducting that may be purchased separately and installed with the Product. This warranty also does not cover (a) normal maintenance and service, (b) normal wear and tear, (c) any Products or parts which have been subject to misuse, abuse, abnormal usage, negligence, accident, improper or insufficient maintenance, storage or repair (other than repair by the Company), (d) damage caused by faulty installation, or installation or use contrary to recommendations or instructions, (e) any Product that has been moved from its original point of installation, (f) damage caused by environmental or natural elements, (g) damage in transit, (h) natural wear of finish, (i) Products in commercial or nonresidential use, or (j) damage caused by fire, flood or other act of God. This warranty covers only Products sold to original consumers in the United States by the Company or U.S. distributors authorized by the Company.

This warranty supersedes all prior warranties and is not transferable from the original consumer purchaser.

**No Other Warranties:** This Limited Warranty contains the Company's sole obligation and your sole remedy for defective products. The foregoing warranties are exclusive and in lieu of any other warranties, express or implied. **THE COMPANY DISCLAIMS AND EXCLUDES ALL OTHER EXPRESS WARRANTIES, AND DISCLAIMS AND EXCLUDES ALL WARRANTIES IMPLIED BY LAW, INCLUDING WITHOUT LIMITATION THOSE OF MERCHANTABILITY AND FITNESS FOR A PARTICULAR PURPOSE.** To the extent that applicable law prohibits the exclusion of implied warranties, the duration of any applicable implied warranty is limited to the period specified for the express warranty above. Some states do not allow limitations on how long an implied warranty lasts, so the above limitation may not apply to you. Any oral or written description of the Product is for the sole purpose of identifying it and shall not be construed as an express warranty.

Whenever possible, each provision of this Limited Warranty shall be interpreted in such manner as to be effective and valid under applicable law, but if any provision is held to be prohibited or invalid, such provision shall be ineffective only to the extent of such prohibition or invalidity, without invalidating the remainder of such provision or the other remaining provisions of the Limited Warranty.

**Remedy:** During the applicable limited warranty period, the Company will, at its option, provide replacement parts for, or repair or replace, without charge, any Product or part thereof, to the extent the Company finds it to be covered by and in breach of this limited warranty under normal use and service. The Company will ship the repaired or replaced Product or replacement parts to you at no charge. You are responsible for all costs for removal, reinstallation and shipping, insurance or other freight charges incurred in the shipment of the Product or part to the Company. If you must send the Product or part to the Company, as instructed by the Company, you must properly pack the Product or part—the Company is not responsible for damage in transit. The Company reserves the right to utilize reconditioned, refurbished, repaired or remanufactured Products or parts in the warranty repair or replacement process. Such Products and parts will be comparable in function and performance to an original Product or part and warranted for the remainder of the original warranty period.

**Exclusion of Damages:** **THE COMPANY'S OBLIGATION TO PROVIDE REPLACEMENT PARTS, OR REPAIR OR REPLACE, AT THE COMPANY'S OPTION, SHALL BE YOUR SOLE AND EXCLUSIVE REMEDY UNDER THIS LIMITED WARRANTY AND THE COMPANY'S SOLE AND EXCLUSIVE OBLIGATION. THE COMPANY SHALL NOT BE LIABLE FOR INCIDENTAL, INDIRECT, CONSEQUENTIAL OR SPECIAL DAMAGES ARISING OUT OF OR IN CONNECTION WITH THE PRODUCT, ITS USE OR PERFORMANCE.**

Some states do not allow the exclusion or limitation of incidental or consequential damages, so the above limitation or exclusion may not apply to you. This warranty gives you specific legal rights, and you may also have other rights, which vary from state to state.

This warranty covers only replacement or repair of defective Products or parts thereof at the Company's main facility and does not include the cost of field service travel and living expenses.

Any assistance the Company provides to or procures for you outside the terms, limitations or exclusions of this limited warranty will not constitute a waiver of such terms, limitations or exclusions, nor will such assistance extend or revive the warranty.

The Company will not reimburse you for any expenses incurred by you in repairing or replacing any defective Product, except for those incurred with the Company's prior written permission.

**How to Obtain Warranty Service:** To qualify for warranty service, you must (a) notify the Company at the address or telephone number stated below within seven (7) days of discovering the covered defect, (b) give the model number and part identification and (c) describe the nature of any defect in the Product or part. At the time of requesting warranty service, you must present evidence of the original purchase date. **If you cannot provide a copy of the original written limited warranty, then the terms of the Company's most current written limited warranty for your particular product will control. The most current limited written warranties for the Company's products can be found at [www.broan.com](http://www.broan.com).**

Broan-NuTone LLC 926 West State Street, Hartford, WI 53027  
[www.broan.com](http://www.broan.com) 800-637-1453

# GARANTIA

## Garantía limitada

**Periodo y exclusiones de la garantía:** Broan-NuTone LLC (la "Compañía") garantiza al consumidor comprador original de su producto ("usted") que el producto (el "Producto") estará libre de defectos en materiales o en mano de obra, por un periodo de un (1) año a partir de la fecha de compra original.

El periodo de garantía limitada para cualquier pieza de repuesto proporcionada por la compañía y para cualquier Producto reparado o reemplazado bajo esta garantía limitada debe ser lo que reste del periodo de garantía original.

Esta garantía no cubre controles de velocidad, arrancadores de lámparas fluorescentes, tubos, bombillas de halógeno e incandescentes, fusibles, filtros, conductos, tapas de techo, tapas de pared ni otros accesorios que pudieran ser comprados por separado e instalados con el producto. Esta garantía tampoco cubre (a) mantenimiento y servicio normal, (b) uso y desgaste normal, (c) Productos o piezas sujetos a mal uso, abuso, uso anormal, negligencia, accidente, mantenimiento inadecuado o insuficiente, almacenamiento o reparación (que no sea reparación por parte de la Compañía), (d) daños causados por instalación defectuosa, o bien instalación o uso contrario a las recomendaciones o instrucciones, (e) cualquier Producto que se haya movido de su punto de instalación original, (f) daños ocasionados por el medio ambiente o los elementos naturales, (g) daños en tránsito, (h) desgaste natural del acabado, (i) Productos en uso comercial o no residencial, o (j) daños ocasionados por incendio, inundación u otro caso fortuito. Esta garantía cubre solamente Productos vendidos a clientes originales en los Estados Unidos por la Compañía o a distribuidores de EE. UU. autorizados por la Compañía.

Esta garantía sustituye todas las garantías anteriores y no es transferible del comprador consumidor original.

**No hay otras garantías:** Esta garantía limitada contiene la única obligación de la Compañía y su único recurso ante productos defectuosos. Las garantías anteriores son exclusivas y en lugar de cualquier otra garantía, expresa o implícita. **LA COMPAÑÍA NIEGA Y EXCLUYE CUALQUIER OTRA GARANTÍA EXPRESA, Y NIEGA Y EXCLUYE TODAS LAS GARANTÍAS IMPLÍCITAS POR LEY, INCLUYENDO, ENTRE OTRAS, LAS DE COMERCIALIZACIÓN Y APTITUD PARA UN PROPÓSITO EN PARTICULAR.** Hasta el grado en que la ley aplicable prohíba la exclusión de las garantías implícitas, la duración de cualquier garantía implícita aplicable está limitada al periodo especificado para la garantía expresa antes mencionada. Algunos estados no permiten limitaciones en la duración de una garantía implícita, así que la limitación anterior tal vez no aplique en su caso. Cualquier descripción verbal o escrita del Producto es para el único propósito de identificarlo y no deberá considerarse como una garantía expresa.

Siempre que sea posible, toda disposición de esta garantía limitada deberá ser interpretada de tal forma que sea efectiva y válida de conformidad con la ley aplicable, pero si alguna disposición fuera considerada prohibida o inválida, quedará sin efecto solo en virtud de dicha prohibición o invalidez, sin invalidar el resto de dicha disposición o las demás disposiciones restantes de la garantía limitada.

**Recurso:** Durante el periodo de garantía limitada aplicable, la Compañía, a su opción, suministrará piezas de repuesto, o reparará o reemplazará, sin cargo alguno, cualquier Producto o pieza del mismo, hasta el grado en que la Compañía lo encuentre cubierto bajo esta garantía limitada y en cumplimiento de la misma en condiciones normales de uso y servicio. La Compañía le enviará el Producto reparado o reemplazado o las piezas de repuesto sin cargo. Usted es responsable de todos los costos de retiro, reinstalación y envío, seguro u otros cargos de flete incurridos en el envío del Producto o pieza a la Compañía. Si debe enviar el Producto o la pieza a la Compañía, tal como lo indique la Compañía, debe empaquetar adecuadamente el Producto o la pieza: la Compañía no se hace responsable por los daños en tránsito. La Compañía se reserva el derecho de utilizar Productos o piezas reacondicionados, renovados, reparados o refabricados en el proceso de reemplazo o reparación de garantía. Dichos Productos y piezas serán comparables en función y desempeño a un Producto o una pieza original y tendrán garantía durante el resto del periodo de la garantía original.

**Exclusión de daños:** **LA OBLIGACIÓN DE LA COMPAÑÍA DE SUMINISTRAR PIEZAS DE REPUESTO, O DE REPARAR O REEMPLAZAR, A OPCIÓN DE LA COMPAÑÍA, SERÁ SU ÚNICO Y EXCLUSIVO RECURSO BAJO ESTA GARANTÍA LIMITADA, Y LA ÚNICA Y EXCLUSIVA OBLIGACIÓN DE LA COMPAÑÍA. LA COMPAÑÍA NO SERÁ RESPONSABLE POR DAÑOS INCIDENTALES, INDIRECTOS, RESULTANTES O ESPECIALES QUE SURJAN POR EL USO O DESEMPEÑO DEL PRODUCTO, O EN RELACIÓN CON EL MISMO.**

Algunos estados no permiten la exclusión o limitación de daños incidentales o resultantes, por lo que la limitación antes mencionada podría no aplicarse a usted. Esta garantía le otorga derechos legales específicos, y usted podría tener otros derechos que varían de un estado a otro.

Esta garantía cubre únicamente el reemplazo o la reparación de Productos defectuosos o piezas de los mismos en la planta principal de la Compañía, y no incluye el costo del viaje para el servicio de campo ni los viáticos.

Cualquier asistencia que proporcione o procure la Compañía para usted fuera de los términos, limitaciones o exclusiones de esta garantía limitada no constituirá una renuncia a dichos términos, limitaciones o exclusiones, ni dicha asistencia extenderá o renovará la garantía.

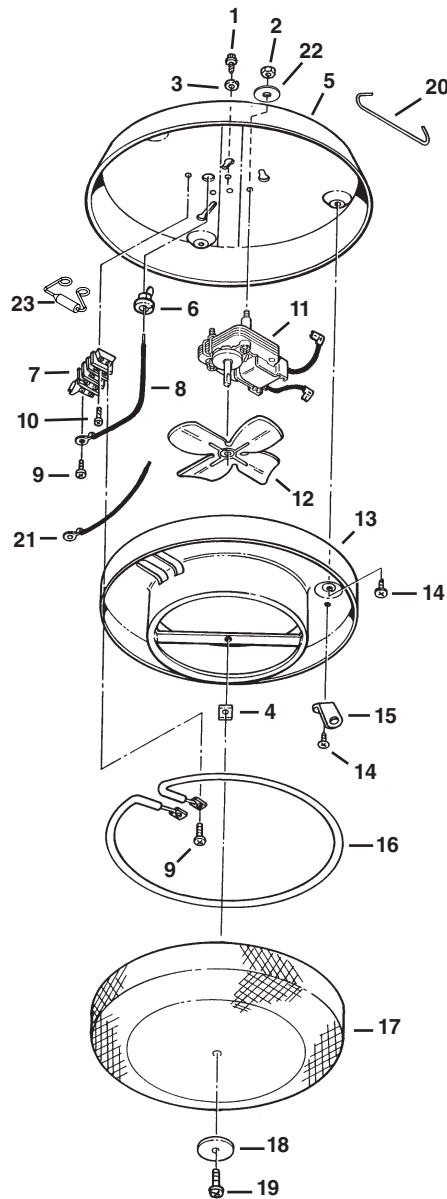
La Compañía no le reembolsará ningún gasto en el que usted haya incurrido al reparar o reemplazar cualquier Producto defectuoso, excepto los incurridos con el permiso previo por escrito de la Compañía.

**Cómo obtener el servicio cubierto por la garantía:** Para tener derecho al servicio cubierto por la garantía, usted debe (a) notificar a la Compañía a la dirección o número de teléfono que aparecen abajo en un plazo de siete (7) días después de descubrir el defecto cubierto, (b) proporcionar el número de modelo y la identificación de la pieza y (c) describir la naturaleza de cualquier defecto en el Producto o la pieza. En el momento de solicitar el servicio cubierto por la garantía, debe presentar un comprobante de la fecha de compra original. **Si usted no puede presentar una copia de la garantía limitada original por escrito, entonces regirán los términos de la garantía limitada por escrito más actualizada de la compañía para su producto en particular. Las garantías limitadas por escrito más actualizadas para los productos de la Compañía se pueden encontrar en [www.broan.com](http://www.broan.com).**

Broan-NuTone LLC 926 West State Street, Hartford, WI 53027  
[www.broan.com](http://www.broan.com) 800-637-1453

**SERVICE PARTS**  
**MODEL 157**

**PIEZAS DE SERVICIO**  
**MODELO 157**



KEY NO. N.O CODIGO	PART NO. N.O PIEZA	DESCRIPTION	DESCRIPCION
1	99150611	Green Ground Screw, #8B-18 x 3/8" Hex Hd.	Tornillo Verde Tierra #8B-18 x 3/8" Cabeza Hexagonal
2	04200-14	#8-32 Hex Nut w/serrated Washer (2 Req.)	#8-32 Tuerca Hexagonal con Arandela Estriada (Necesita 2)
3	05100-13	Cup Washer	Arandela Acopada
4	04126-00	#8B Sheet Metal Nut - "U" Type	#8B Tuerca de Chapa - En "U"
5	98008740	Ceiling Pan	Collar de Techo
6	02159-00	Bushing	Buje
7	99270721	Terminal Block	Bloque Terminal
8	02144-01	Black Wire Assembly	Haz de Alambres Negros
9	99160313	#6-32 x 1/4" Pan Hd. Mach. Screw (4 Req.)	#6-32 x 1/4" Tornillo para Metales de Cabeza Chata (Necesita 4)
10	99150527	#8B-18 x 1/2" PH Pan Hd. Screw	#8B-18 x 1/2" PH Tornillo de Cabeza Chata
11	99080437	Motor	Motor
12	06116-00	Fan Blade	Aspa de Ventilador
13	98008741	Reflector	Reflector
14	99150478	#8B-18 x 3/8" PH Truss Hd. Screw (6 Req.)	#8B-18 x 3/8" Tornillo de Cabez Segmentada (Necesita 6)
15	98008742	Element Support (3 Req.)	Soporte de Elemento (Necesita 3)
16	99270744	Element	Elemento
17	25045-00	Grille	Rejilla
18	99090680	Nameplate	Plaquita
19	99150491	#8B-18 x 3/8" Phillips Pan Hd. Screw	#8B-18 x 3/8" Tornillo de Cabez Chata Phillips
20	06317-00	Installation Hook	Gancho para Instalación
21	02144-02	White Wire Assembly	Haz de Alambres Blancos
22	05100-10	Washer (2 Req.)	Arandela (Necesita 2)
23	99271125	Thermal Cutoff	Fusible térmico

Order replacement parts by "PART NO." - NOT by KEY NO."

Encargue piezas de servicio por "NO. PIEZ" -no por "N.O CODIGO".